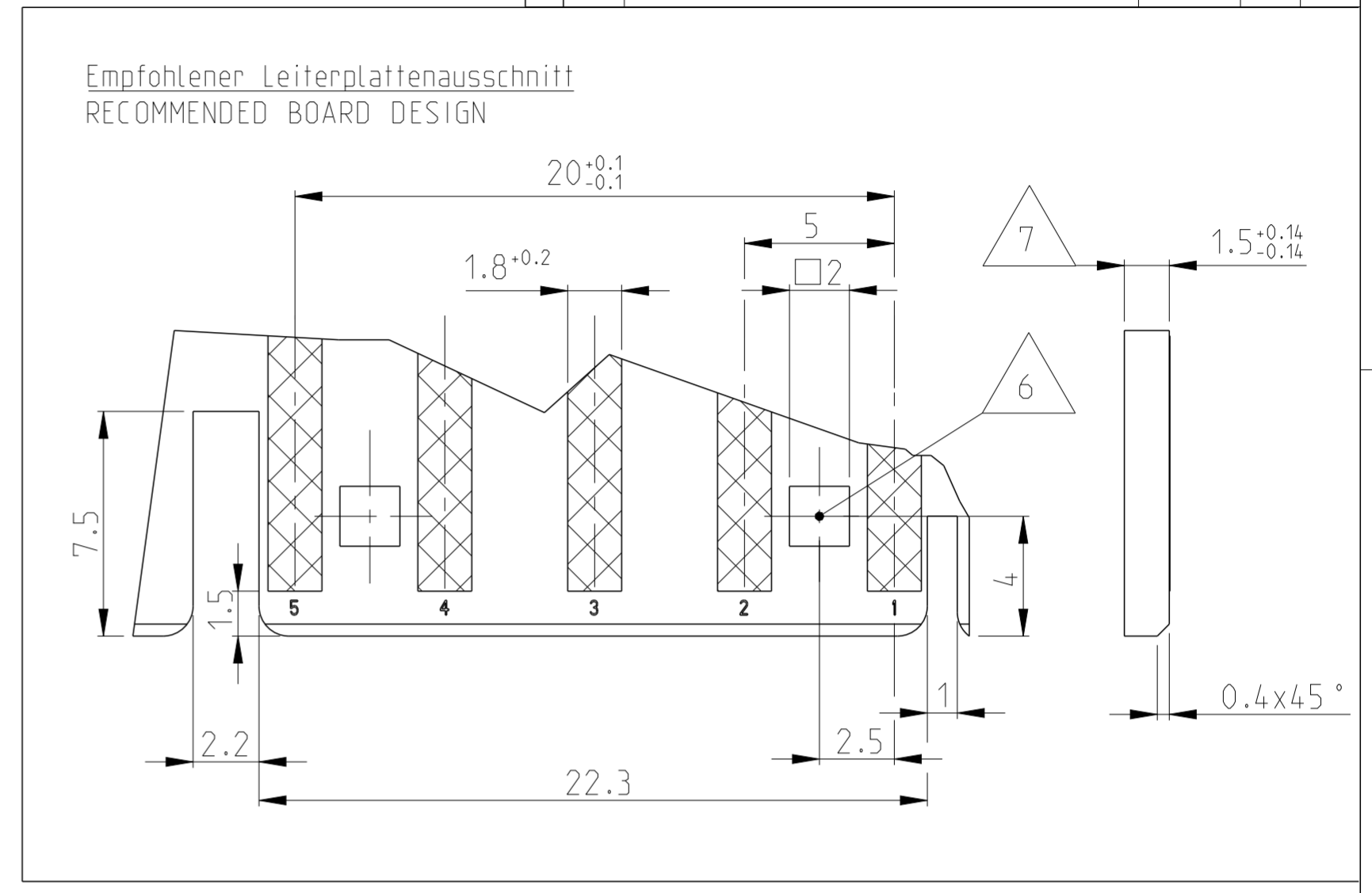
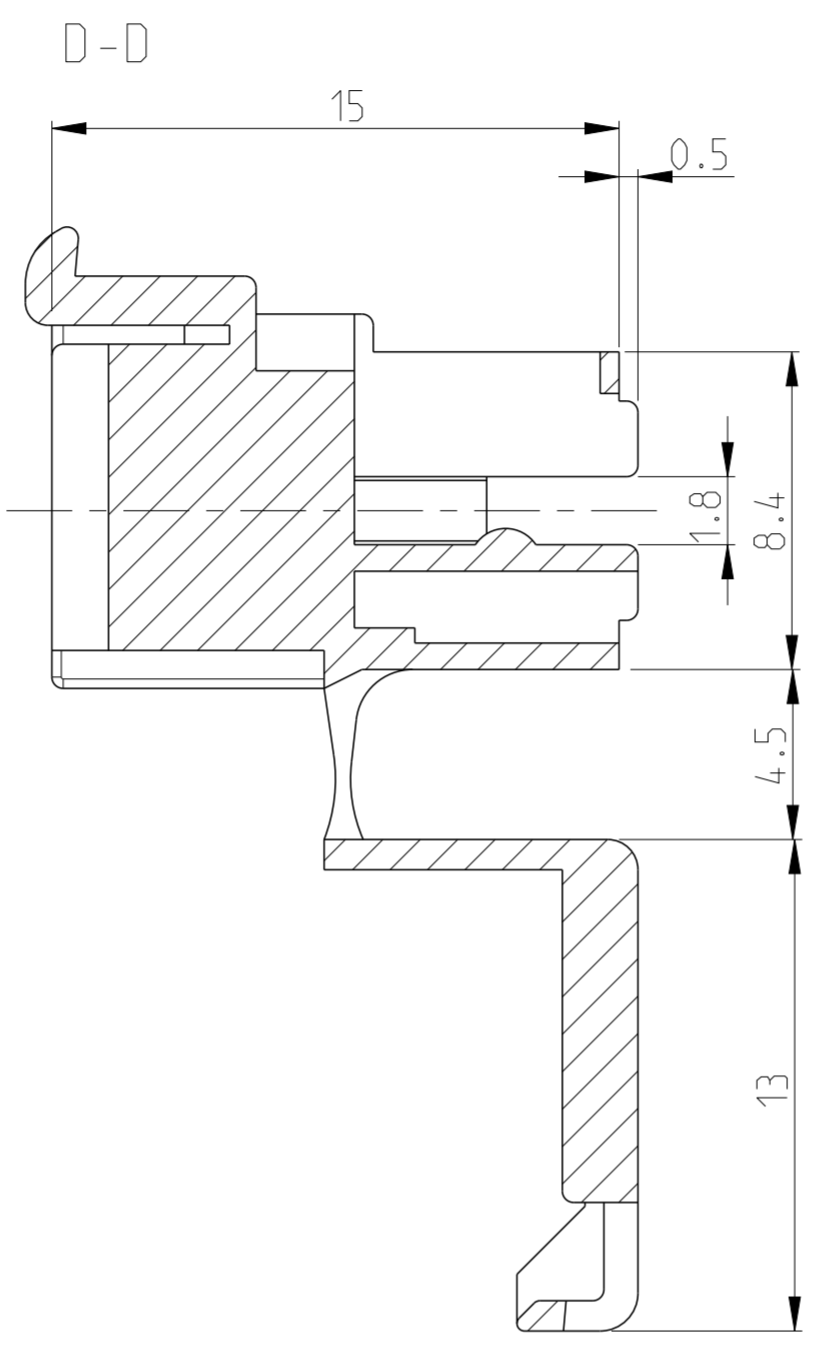
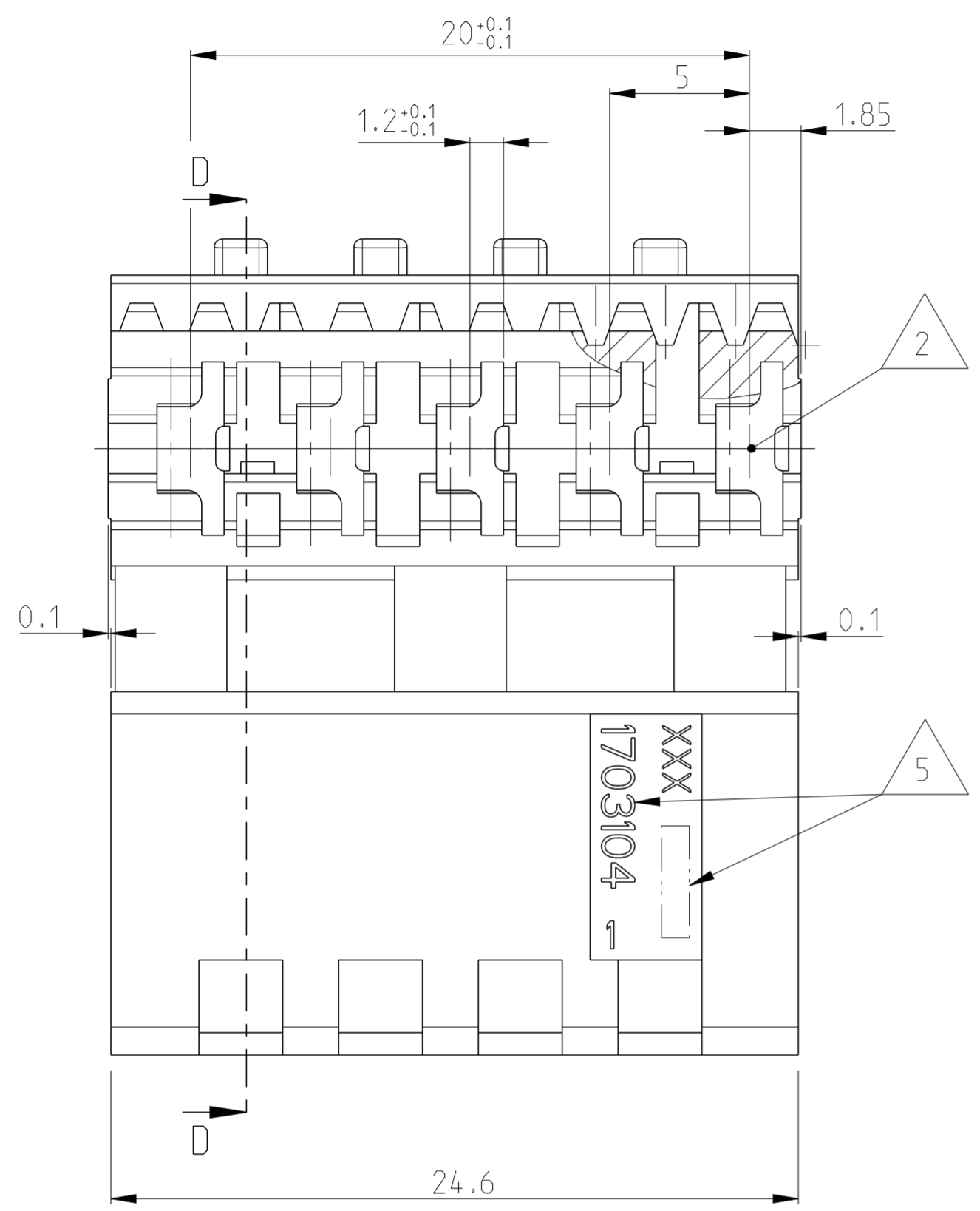
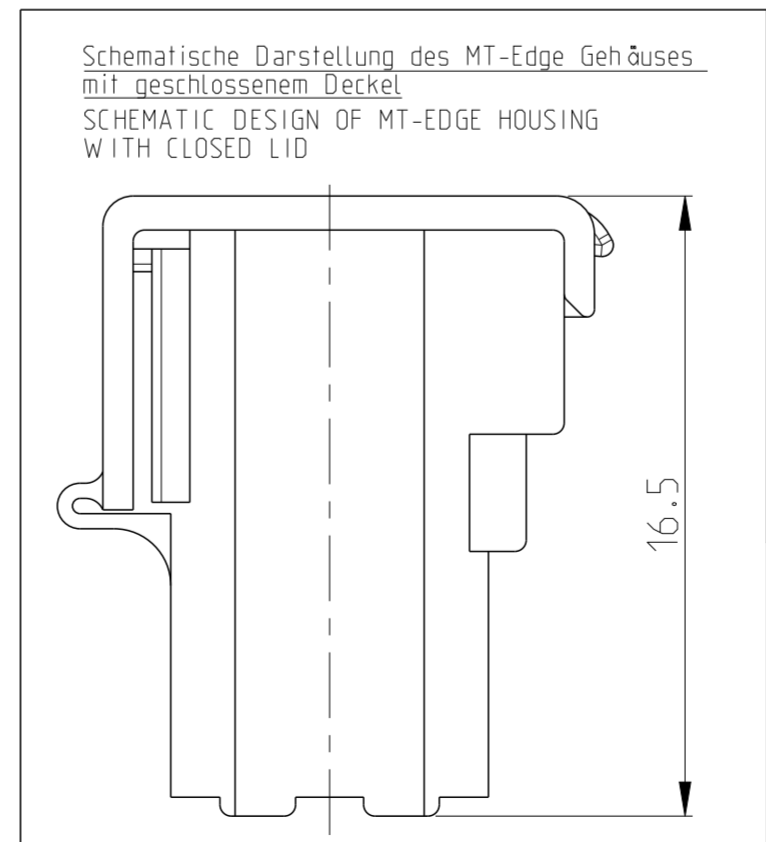
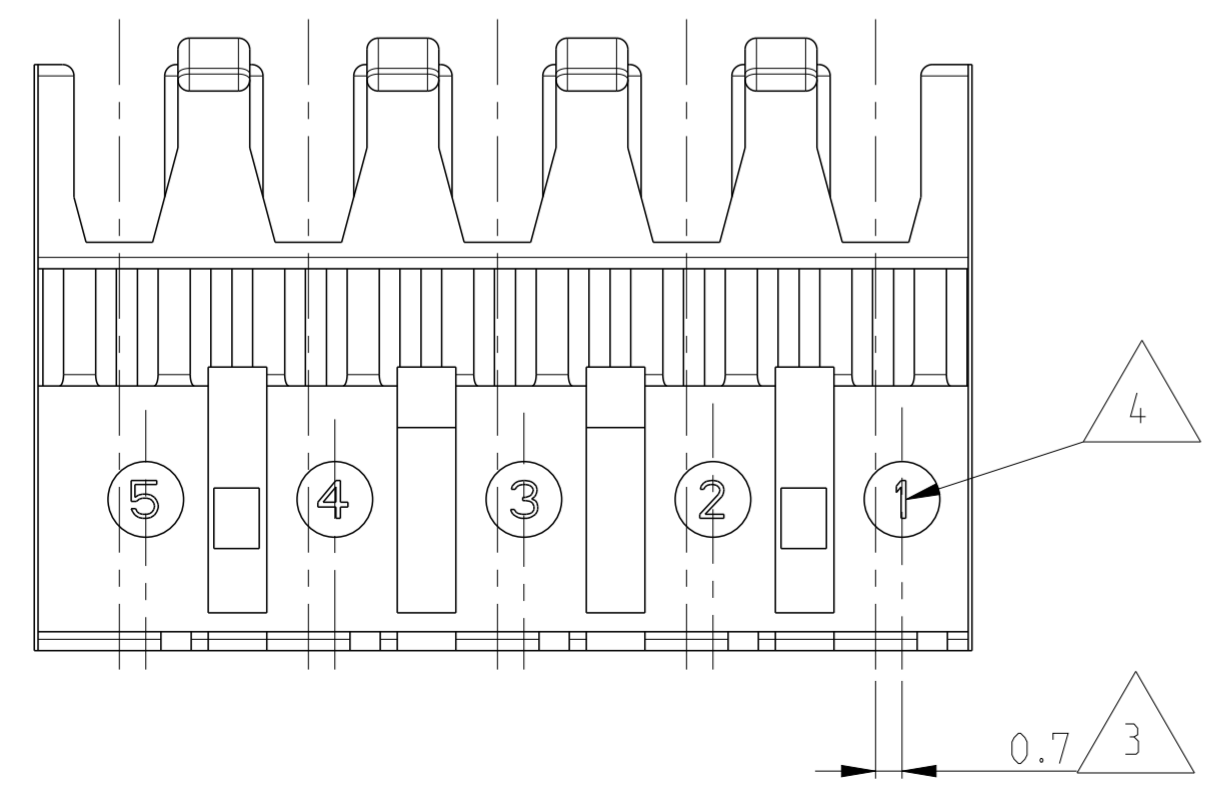


LOC		DIST		REVISIONS			
P	LTR	DESCRIPTION	DATE	DWN	APVD		
C1		ECR-13-010494	08JUL2013	MKD	RRP		



- Bemerkungen**
NOTES
- 1 Massgebend ist der deutsche Text
ONLY THE GERMAN-LANGUAGE VERSION SHALL BE BINDING
 - 2 Lage des Kontaktpunktes auf der Leiterplatte; Abweichung ±0.4
POSITION OF CONTACT POINT ON BOARD; DEVIATION ±0.4
 - 3 Kontaktierung zur Drahtmitte um 0.7mm versetzt
CONTACTING 0.7mm DISPLACED TO WIRE CENTRELINE
 - 4 Kontaktkammer-Nr.
CONTACT CAVITY #
 - 5 Firmenlogo und Leergehäuse-Nr.
ARTWORK LOGO AND HOUSING # (NON LOADED)
 - 6 Vierkantloch 2x2 mm wahlweise Rastloch Ø2.5 mm
SQUARE HOLE 2x2 mm OPTIONAL LOCKING HOLE Ø2.5mm
 - 7 Ausführung nach DIN 60249-2-4
BOARD DESIGN ACCORDING TO DIN 60249-2-4
 - 8 Crimp Kontakt-Nr.:
Material: CuSn4
CRIMP CONTACT #: 926770-1, 926917-1
MATERIAL: CuSn4



1703104-1	MT-EDGE HOUSING	NATURE
PART-NO.:	DESCRIPTION	COLOUR

THIS DRAWING IS A CONTROLLED DOCUMENT.

DIMENSIONS: mm	TOLERANCES UNLESS OTHERWISE SPECIFIED:	DWN MAHNKE, B. 22SEP2004	TE Connectivity NAME 5 POS. MT-EDGE HOUSING RAST 5mm SIZE CAGE CODE DRAWING NO RESTRICTED TO A2 C-1703104 - SCALE 5:1 SHEET 1 OF 1 REV C1
	0 PLC ±	CHK STREDAK, F. 20DEC2004	
	1 PLC ±0.2mm	APVD BLEICHER, M. 21DEC2004	
	2 PLC ±	PRODUCT SPEC 108-18003	
	3 PLC ±	APPLICATION SPEC 114-18002	
	4 PLC ±	WEIGHT 2.480 g	
	ANGLES ±1°	CUSTOMER DRAWING	
	FINISH		
MATERIAL PA6.6 / UL94V-2			